

Part number:

HYDROMA

HYDRAULICKÉ SYSTÉMY

**HIDROMA
SISTEMS**

UKŁADY HYDRAULICZNE

HYDROMA

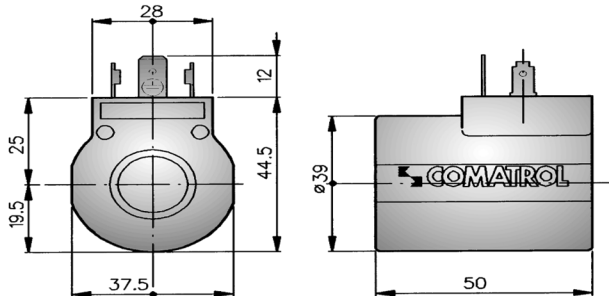
ГИДРАВЛИЧЕСКИЕ СИСТЕМЫ

Cartridge Valves Legacy Product Technical Information

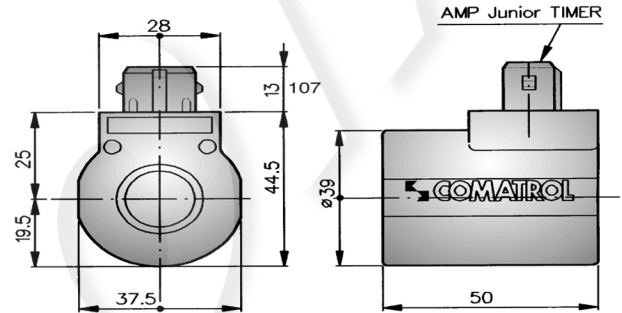
Coil for EVH 06-EDH 06-EVH 12

COIL FOR EVH 06 - EDH 06 - EVH 12

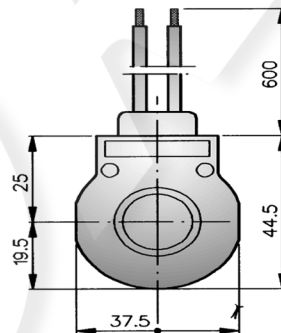
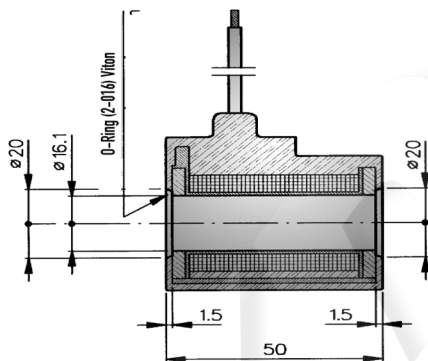
DIN 43650



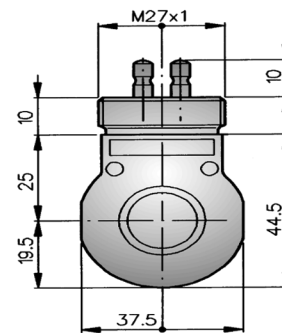
AMP



F.L. 600



KOSTAL M27 x 1



CONNECTION	VOLTAGE	VOLTAGE RANGE	RESISTANCE +/- 5% at 20° C	CURRENT		POWER	CONNECTOR	COIL ORDER N°
				cold	hot			
DIN 43650	12 Volt DC	10.8-13.2	5.60 Ohm	2.16 A	1.29 A	26 W	Type A	17.11.104.1.9
DIN 43650	24 Volt DC	21.6-26.4	21.7 Ohm	1.08 A	0.64 A	26 W	Type A	17.11.105.1.9
DIN 43650	27 Volt DC	24.3-29.7	27.5 Ohm	0.96 A	0.57 A	26 W	Type A	17.11.135.1.9
DIN 43650	48 Volt DC	43.2-52.8	85 Ohm	0.54 A	0.32 A	26 W	Type A	17.11.121.1.9
DIN 43650	24 Volt RAC	21.6-26.4	17 Ohm	1.23 A	0.73 A	26 W	Type C	17.11.106.1.9
DIN 43650	48 Volt RAC	43.2-52.8	67 Ohm	0.62 A	0.37 A	26 W	Type C	17.11.122.1.9
DIN 43650	110 Volt RAC	99-121	380 Ohm	0.27 A	0.16 A	26 W	Type C	17.11.107.1.9
DIN 43650	220 Volt RAC	198-242	1490 Ohm	0.13 A	0.07 A	26 W	Type C	17.11.108.1.9
KOSTAL M27X1	12 Volt DC	10.8-13.2	5.60 Ohm	2.16 A	1.29 A	26 W	Type K	17.11.101.1.9
KOSTAL M27X1	24 Volt DC	21.6-26.4	21.7 Ohm	1.08 A	0.64 A	26 W	Type K	17.11.102.1.9
F.L. 600	12 Volt DC	10.8-13.2	5.60 Ohm	2.16 A	1.29 A	26 W	--	17.11.139.1.9
F.L. 600	24 Volt DC	21.6-26.4	21.7 Ohm	1.08 A	0.64 A	26 W	--	17.11.140.1.9
F.L. 600	27 Volt DC	24.3-29.7	27.5 Ohm	0.96 A	0.57 A	26 W	--	17.11.141.1.9
AMP Junior	12 Volt DC	10.8-13.2	5.60 Ohm	2.16 A	1.29 A	26 W	--	17.11.200.1.9
AMP Junior	24 Volt DC	21.6-26.4	21.7 Ohm	1.08 A	0.64 A	26 W	--	17.11.201.1.9
AMP Junior	27 Volt DC	24.3-29.7	27.5 Ohm	0.96 A	0.57 A	26 W	--	17.11.202.1.9